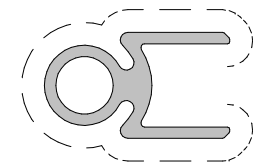
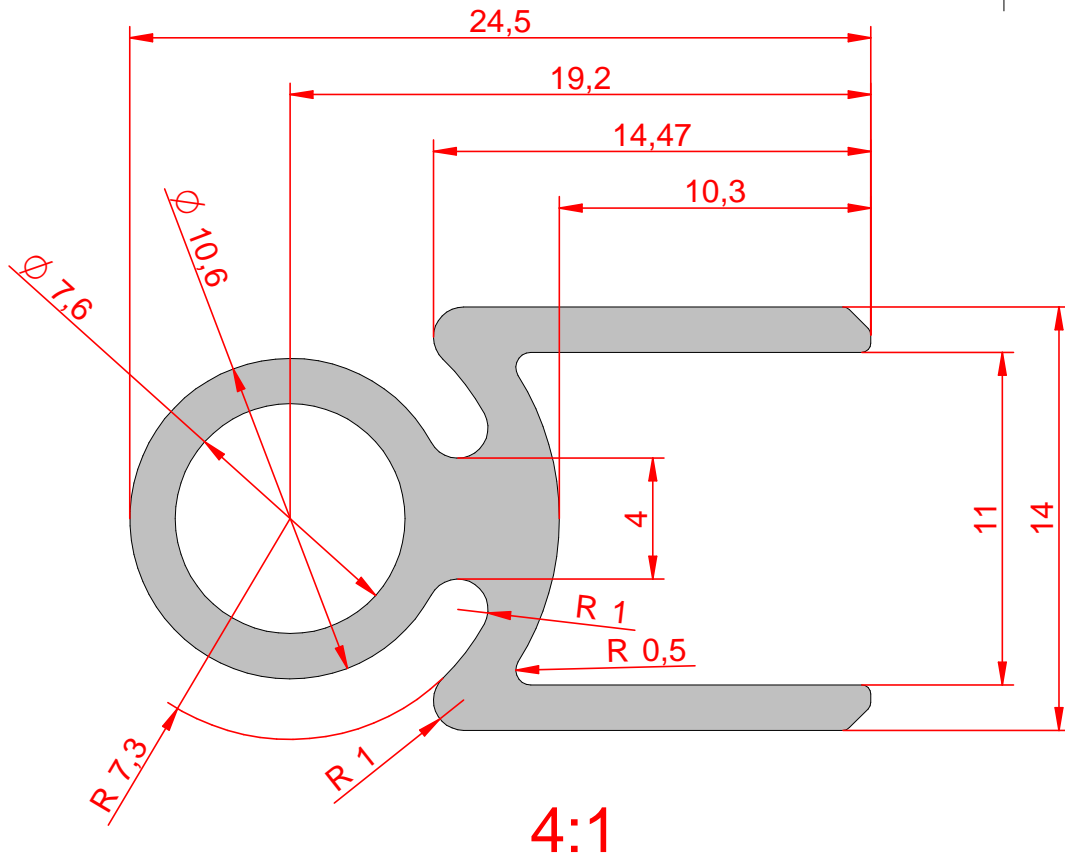


Reviews			
Rev	Description	Date	Approved



1:1

	Name	Date			
Drawn	B.Feliu-DSA	14/08/19			
Controlled					
Material: AA6060T5			A4	profil male	Rev 01
Weight meter: 0,309 kgs /m.l.			File: GTW0-ECOF-M000.dft		
Weight piece:			Scale: 1:1 4:1		
For more technical information request electronic files.			GTW0-ECOF-M000		