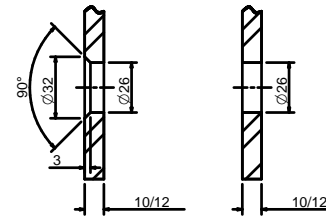
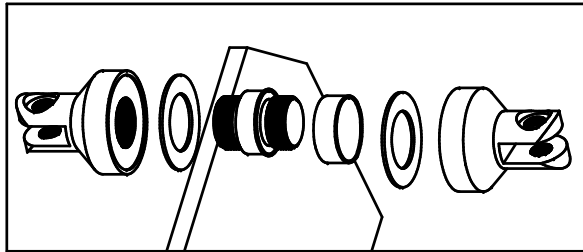
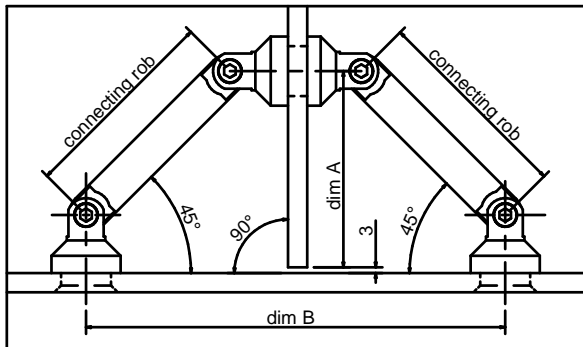
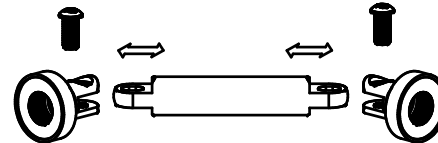
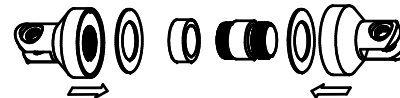
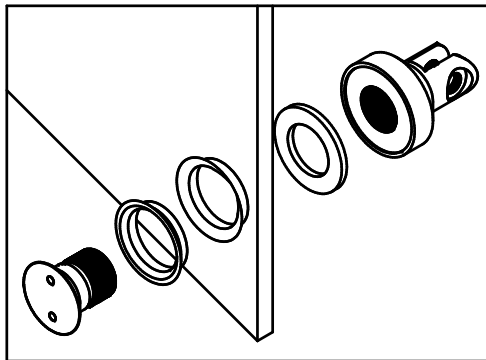


SA8000A-4



two kinds of opening temple glass



connecting rod size and angle: (Dim. in mm for 10mm glass. For other glass thickness please adapt accordingly.)

length of connecting rod and in mm			
52.5	60	82	103
A/B	A/B	A/B	A/B
62.6/142.3	67.9/152.9	83.5/184	98.3/213.6